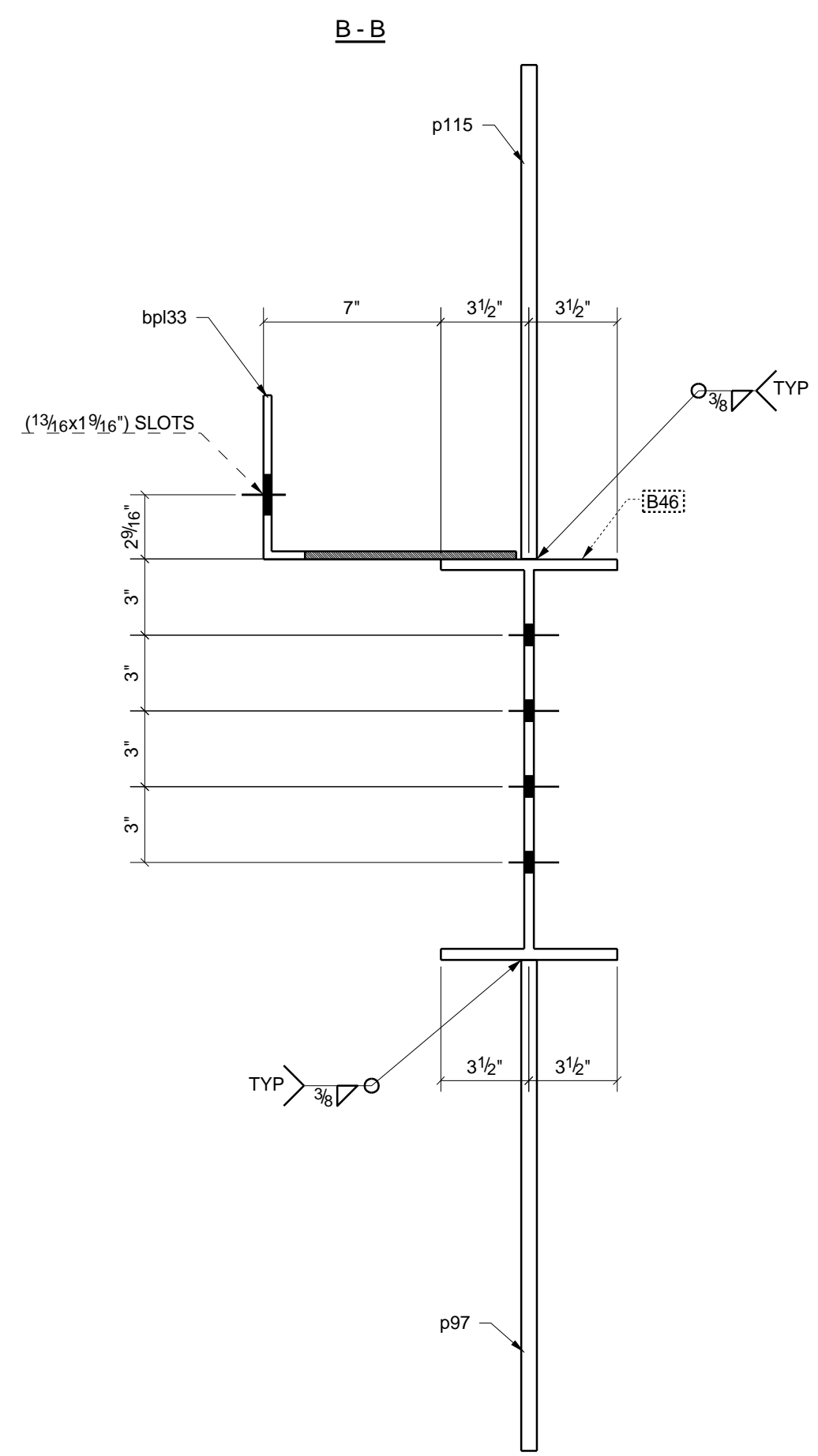
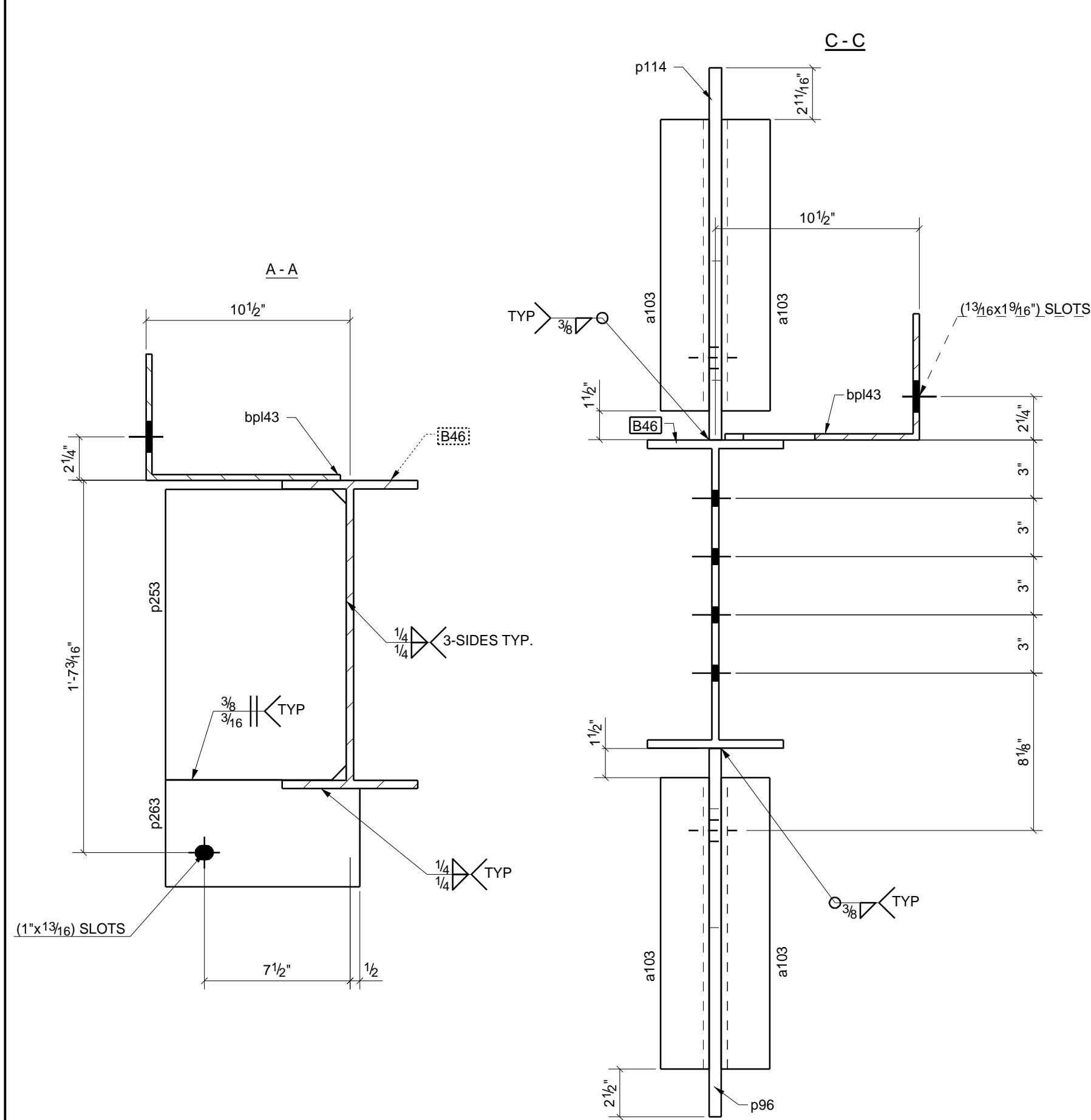


25'-4 1/2" (W16X36 x 25'-3 1/16")



**ONE - BEAM - B46**

W	15 7/8" x 5/16"
F	7" x 7/16"



SHIP	ASSEMBLY MARK	NO PCS	DESCRIPTION	LENGTH	PIECE-PART MARK	REMARKS
1	B46	1	W16X36	25'-3 1/16"	w125	SQ-2 A992
		4	L3X2-1/2X5/16	1'-3"	a103	A36
		1	BENT_PLT6 1/2**10**5/1	6'-11 15/16"	bpl33	A36
		1	BENT_PLT6 1/2**10**5/1	10'-0"	bpl43	A36
		1	BENT_PLT6 1/2**10**5/1	10'-0"	bpl117	A36
		1	PL5/8"X19"	1'-11 5/16"	p96	A36
		1	PL5/8"X19 7/16"	2'-0 3/16"	p97	A36
		1	PL5/8"X19 3/16"	1'-11 1/2"	p114	A36
		1	PL5/8"X19 9/16"	2'-0 5/16"	p115	A36
		2	PL3/8"X9 5/16"	1'-2 15/16"	p253	A36
		2	FB3/8"X5 1/2"	0'-10"	p263	A36

3	For Construction	11/28/07	ESS	
.C	For Approval (w/corrections up to RFI #6).	10/23/07	ESG	
REV.	DESCRIPTION	DATE	DWN	CHK
<b>GENERAL NOTES</b>				
MATERIAL: AB=A307; W-SHAPE=A992; CHANNEL, ANGLE, PLATE=A36; HSS AND PIPE =A500 GR-B				
HOLES: 13/16" DIA. U/N		CONNS.: 3/4" DIA Bolts		ELECTRODES: E70XX
SURFACE PREP.: AND PAINT: REF. DRG.:				
DESCRIPTION: BEAM - BLDG B				
PROJECT NAME: LOCATION:				
DRAWN BY:				
DRAWING FILE MODIFIED:		DATE: 02/23/2008		
DRAWN BY: ESG		DATE: 10/23/2007		
CHKD. BY: AM		DATE:		
JOB No.:		DRG. No.:		